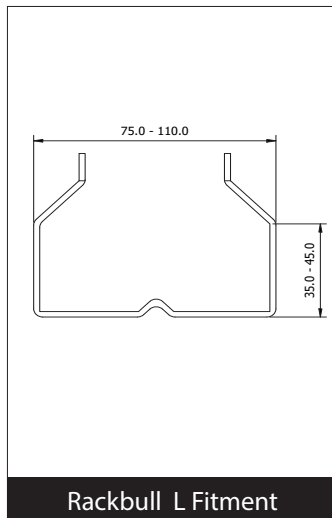
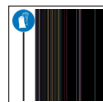


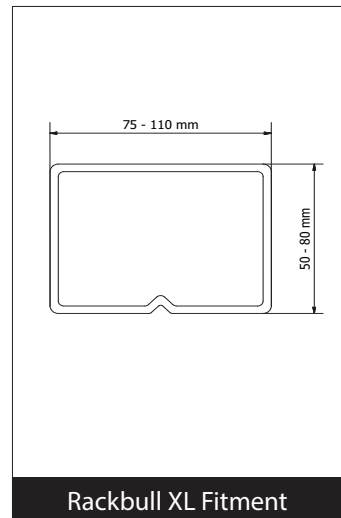
RB Rackbull (L - XL)

INSTALLATION SHEET

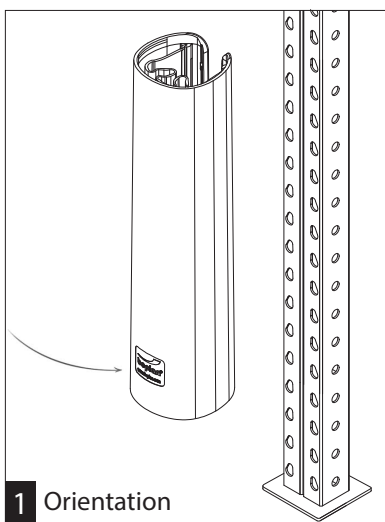
Effective and economic solution for barrier installation



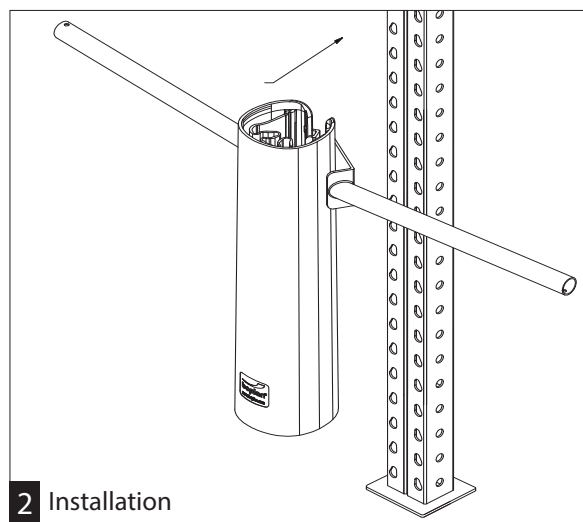
Rackbull L Fitment



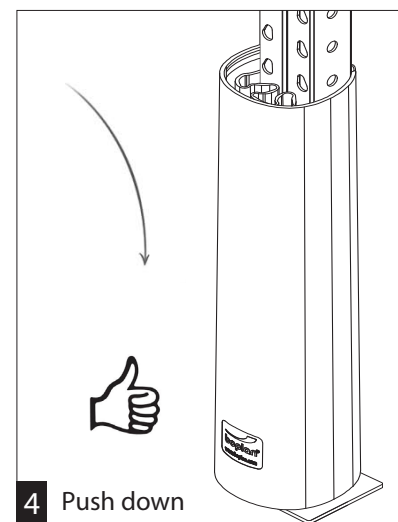
Rackbull XL Fitment



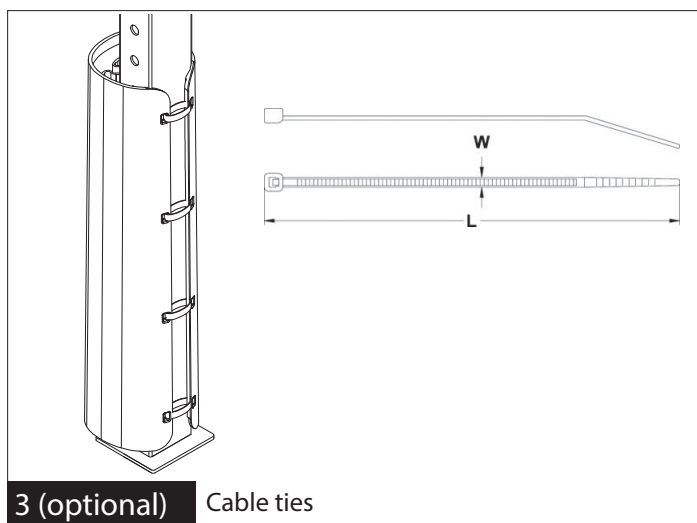
1 Orientation



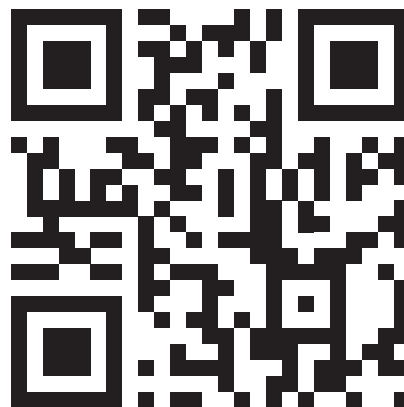
2 Installation



4 Push down



3 (optional) Cable ties



Scan QR Code for installation video



For more information, please visit www.boplan.com

