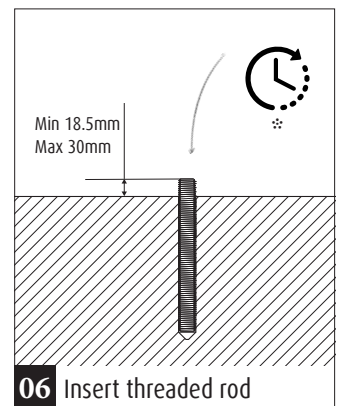
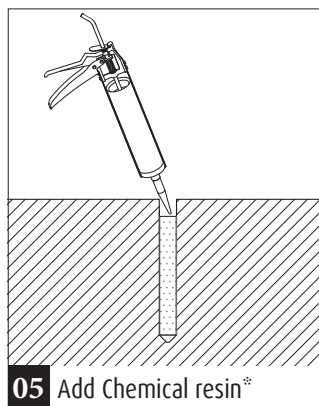
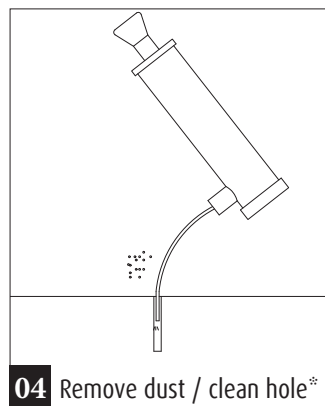
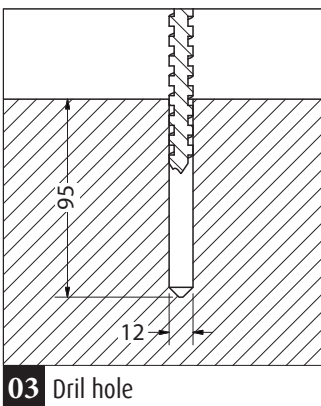
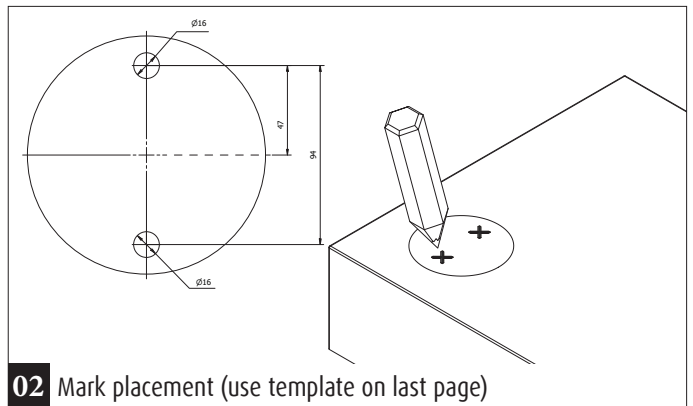
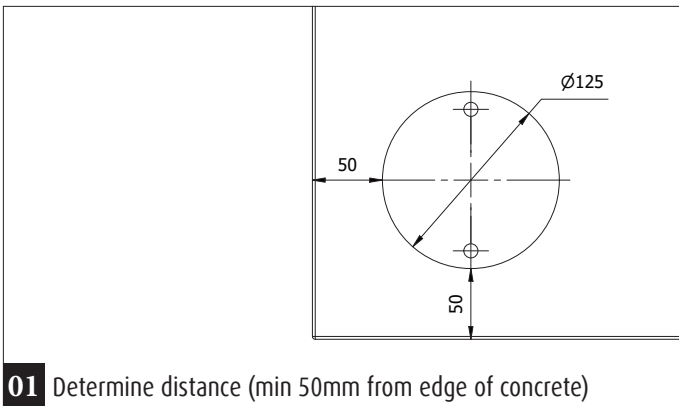
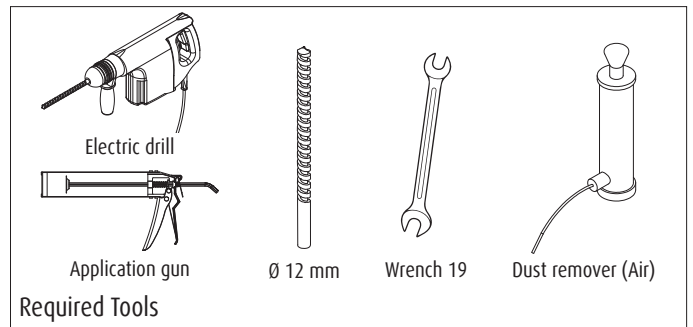
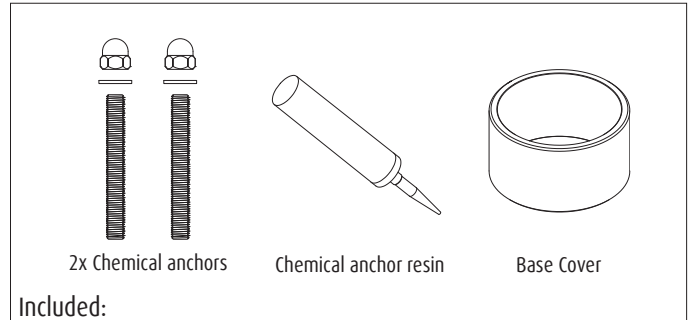
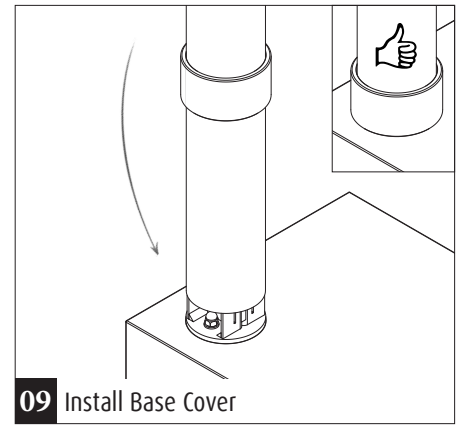
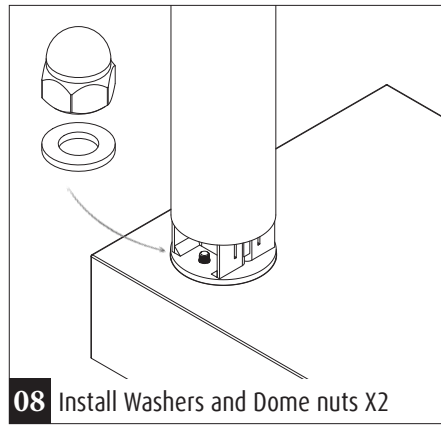
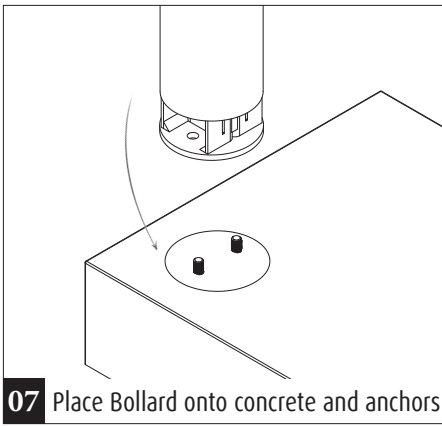


# BO125L EV

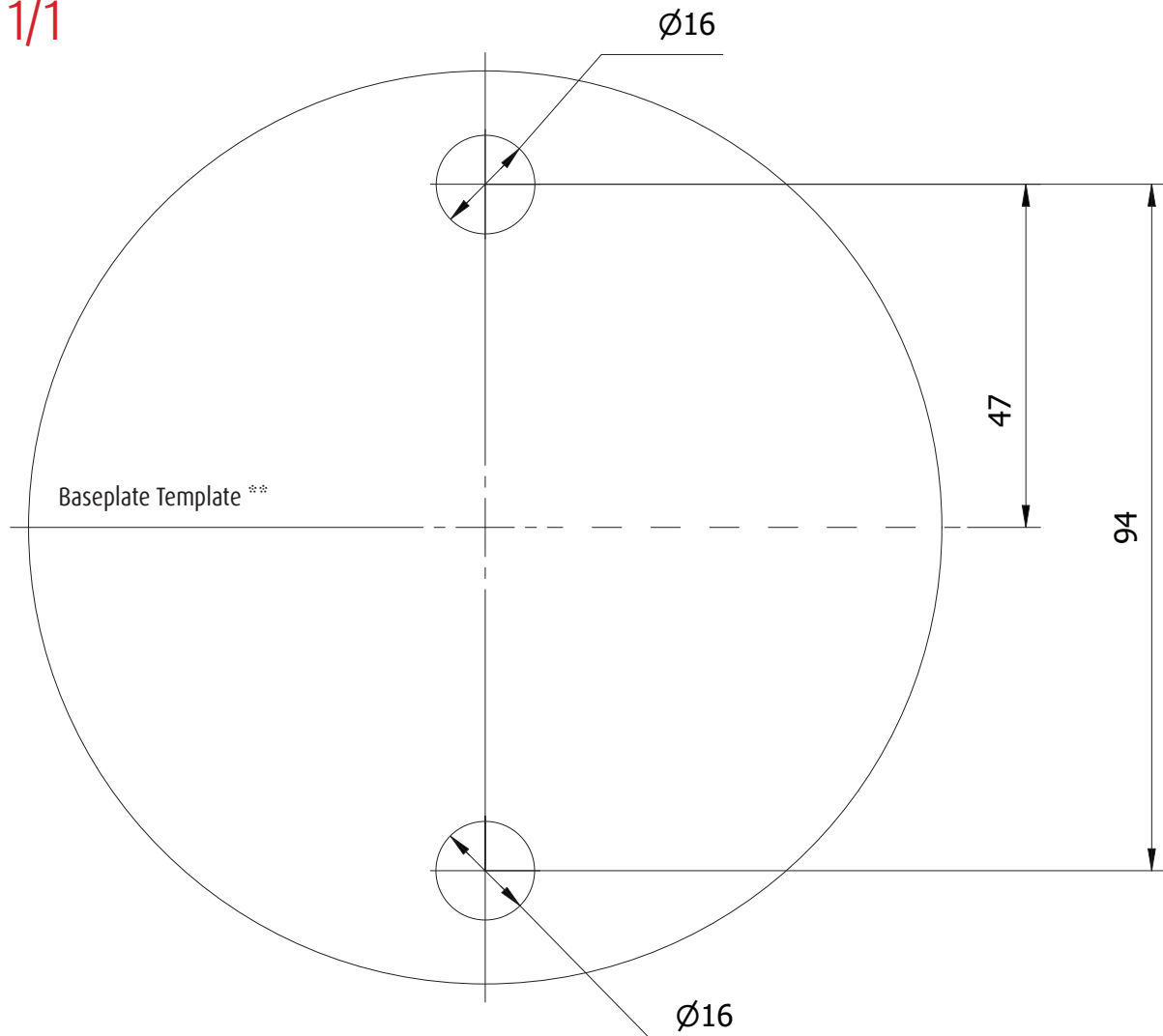
## INSTALLATION SHEET

Reference: BO125L0-....-01EV..





SCALE 1/1



\* Follow Instruction of resin manufacturer for the correct use of the product  
 \*\* DO NOT scale when printing